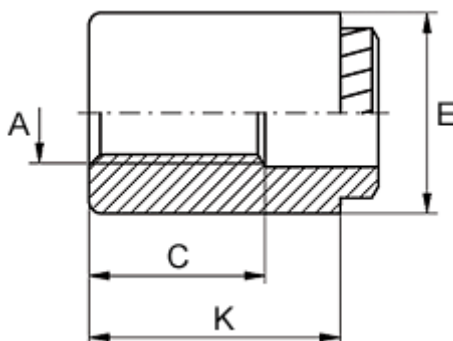


Data Sheet



Article number: 12511600050100
Description: KLEE-coil 511 600 050.100
M5 Hardened, zinc-pl.

Measures



| | |
|------------------------|-------|
| Female thread A | = M5 |
| Height K | = 11 |
| Hole diameter +0.1 | = 6.8 |
| Min distance to edge | = 4.1 |
| Min material thickness | = 1.5 |
| Outer diameter E | = 9 |
| Thread length | = 9 |